

SKU: SW10134  
EAN:4260754980805

SKU: SW10133  
EAN: 4260754980799

HIGH QUALITY  
  
MADE IN GERMANY

**TABLE OF CONTENTS**

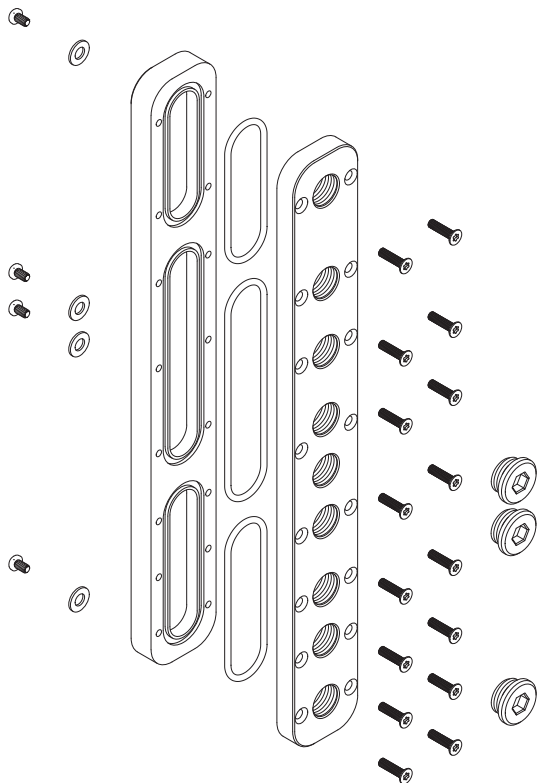
1.	PACKAGING CONTENT WARNING PACKAGING .....	3
2.	DIMENSIONS (mm) .....	4
3.	FLOW DIAGRAM .....	6
4.	RECOMMENDED DISTRO PLATE CONFIGURATION .....	7
5.	INSTALLING THE DISTROBUTION PLATE WITHOUT MOUNTING BRACKET .....	8
6.	INSTALLING THE DISTROBUTION PLATE WITH MOUNTING BRACKET .....	9
6.1.1	INSTALLING - FAN + UNI MOUNTING BRACKET (28 mm & 60 mm) .....	10
6.1.2	INSTALLING - FAN + FLEX MOUNTING BRACKET (28 mm).....	11
6.2.1	INSTALLING - RADIATOR + FAN + UNI MOUNTING BRACKET (28 mm & 60 mm) .....	13
6.2.2	INSTALLING - RADIATOR + FAN + FLEX MOUNTING BRACKET (28 mm).....	14
6.3.1	INSTALLING - RADIATOR + FAN + Reservoir + UNI MOUNTING BRACKET (28 mm & 60 mm) .....	16
6.3.2	INSTALLING - RADIATOR + FAN + Reservoir + FLEX MOUNTING BRACKET (28 mm).....	17
7.	INSTALLING THE CONNECTIONS .....	18
8.	CLEANING & CARE.....	18
9.	SUPPORT AND SERVICE.....	18

**1. PACKAGING CONTENT WARNING PACKAGING**

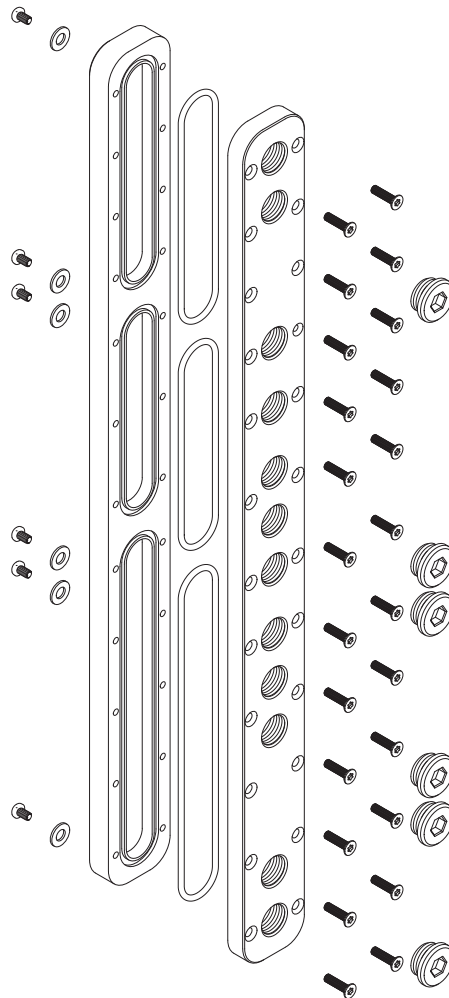
This product is intended for advanced users. Improper installation may result in damage to your equipment. While every effort has been made to provide the most comprehensive information possible, Stealkey Customs assumes no liability, express or implied, for damage to your components resulting from the use of Stealkey Customs cooling products, whether due to errors or omissions on our part in the instructions below, or due to errors or defects in Stealkey Customs cooling products. Do not disassemble the distro plate. Doing so will void the warranty. Turn off your system and discharge your body's static charge before proceeding with the installation. If you do not feel comfortable performing the installation procedure, contact a qualified computer technician.

**Stealkey CubeTube Distroplate 240mm**

SKU: SW10134  
 EAN: 4260754980805  
**Mounting screws**  
 4x M3x6 mm  
 4x M4 washers  
**Plugs**  
 3x G1/4 Plugs


**Stealkey CubeTube Distroplate 360mm**

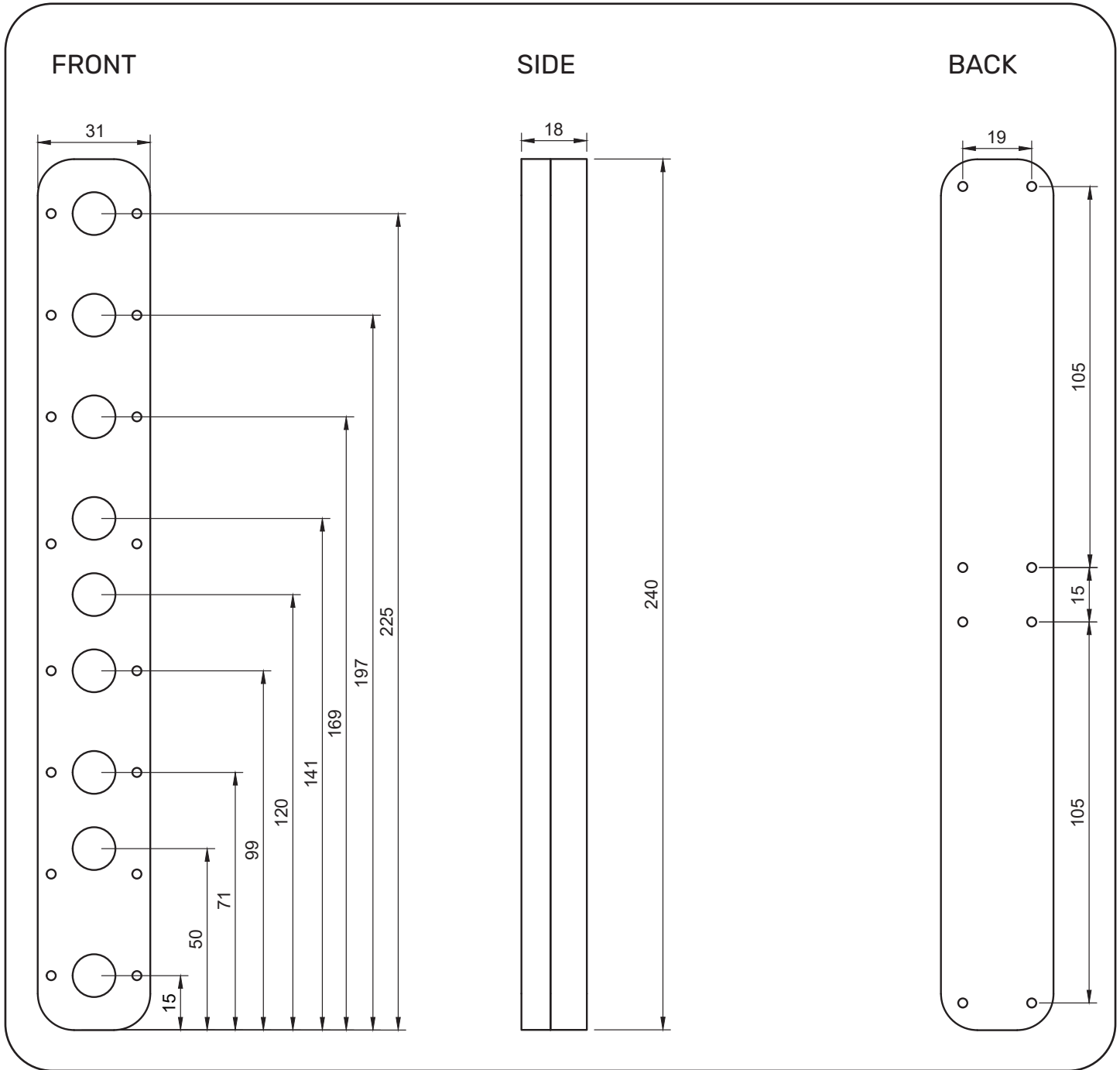
SKU: SW10133  
 EAN: 4260754980799  
**Mounting screws**  
 6x M3x6 mm  
 6x M4 washers  
**Plugs**  
 6x G1/4 Plugs



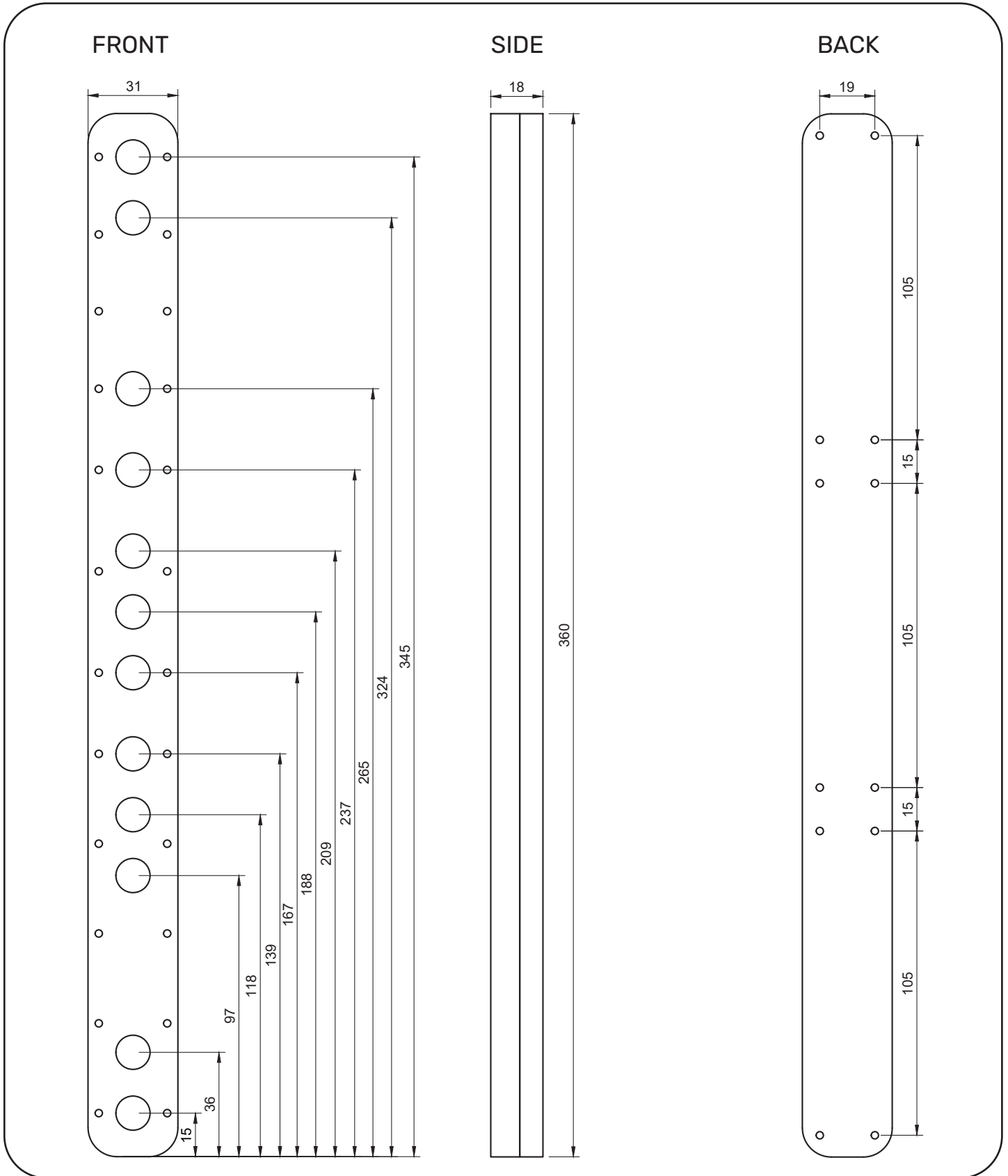


**2. DIMENSIONS (mm)**

Stealkey CubeTube Distroplate 240 mm - Acryl

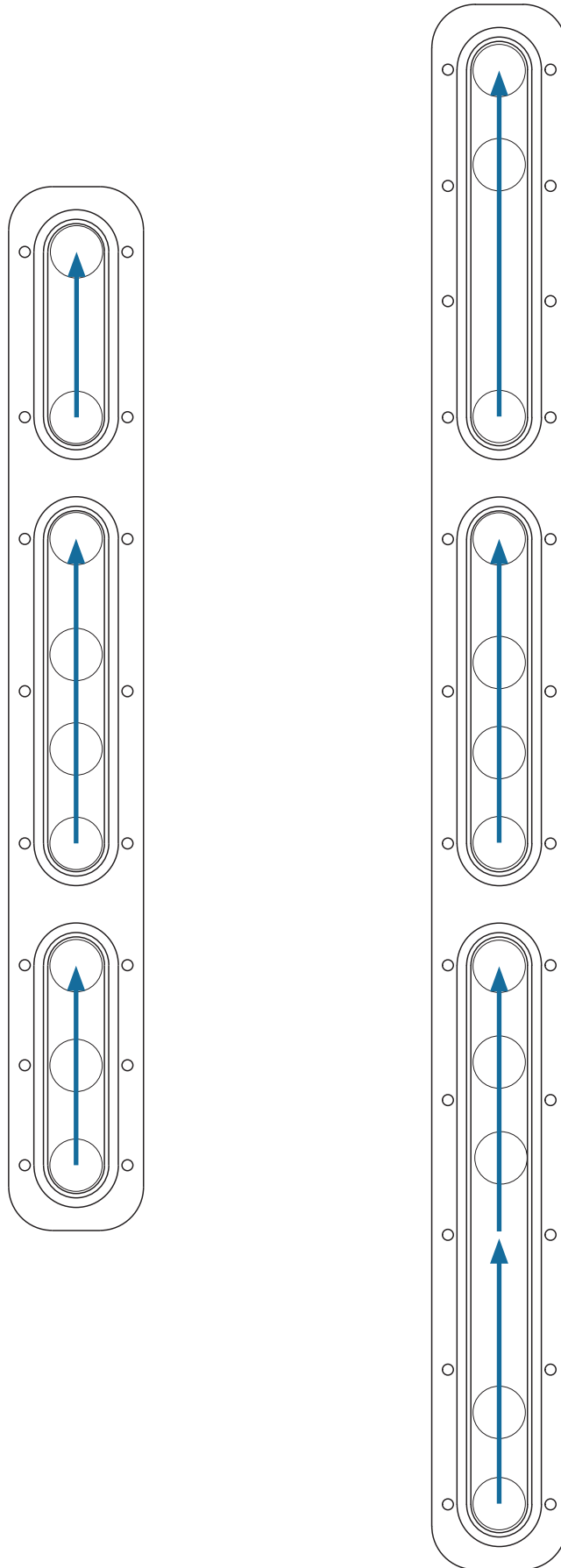


Stealkey CubeTube Distroplate 360 mm - Acryl





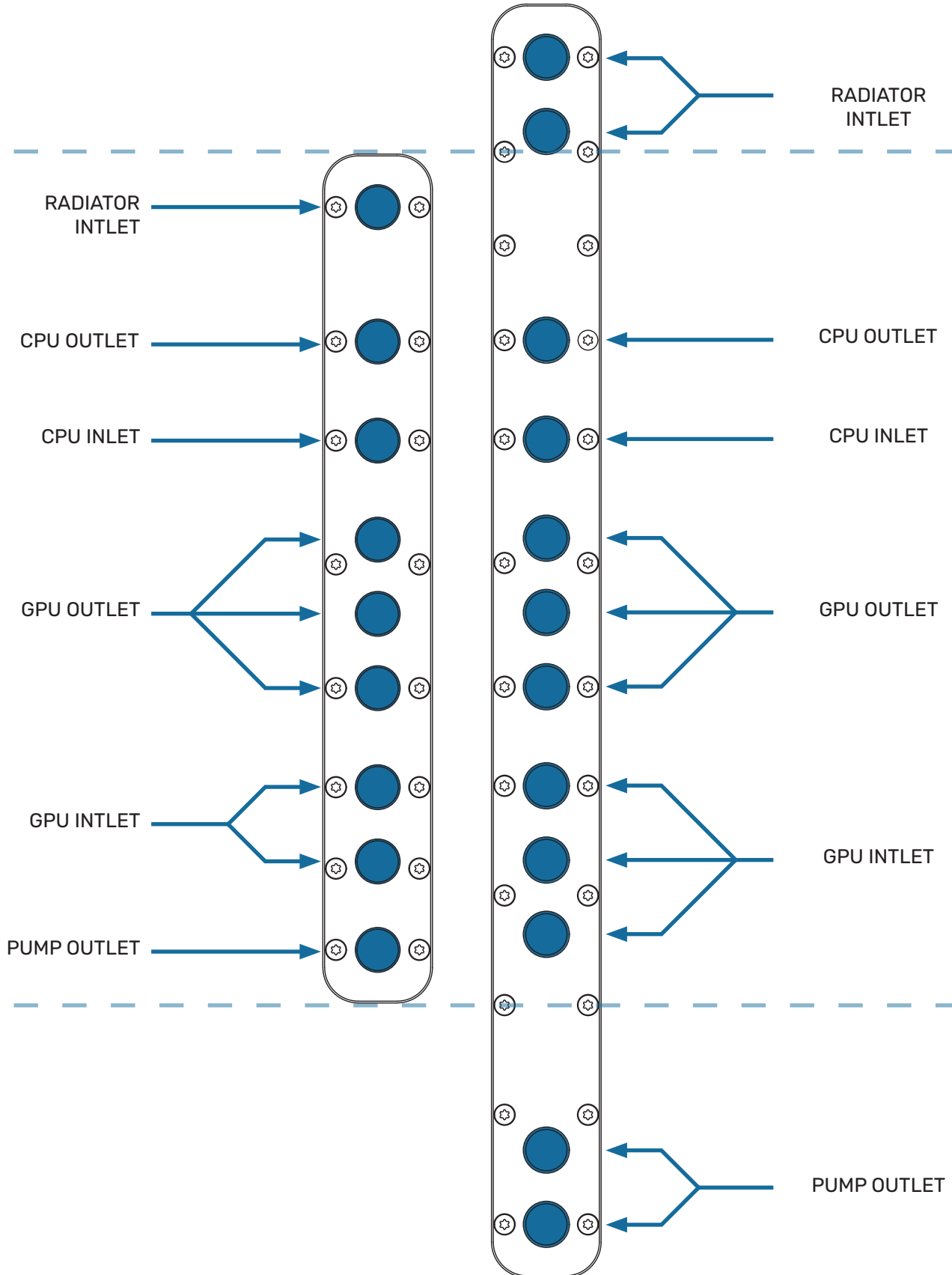
3. FLOW DIAGRAM



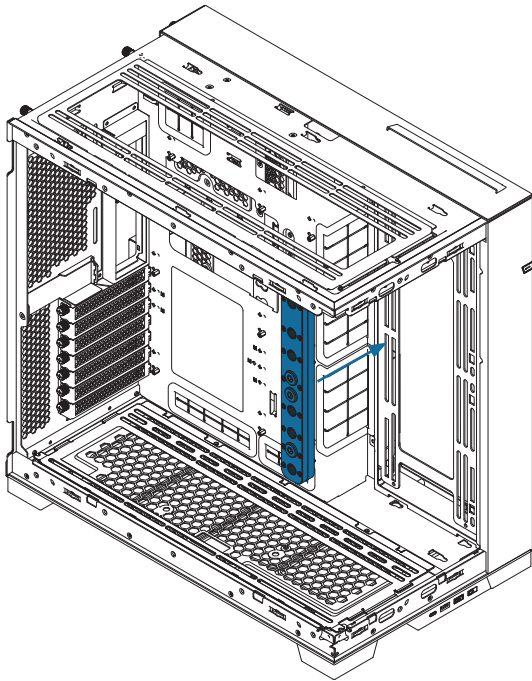


4. RECOMMENDED DISTRO PLATE CONFIGURATION

A basic configuration is shown here. Close any unused ports with the provided plugs.

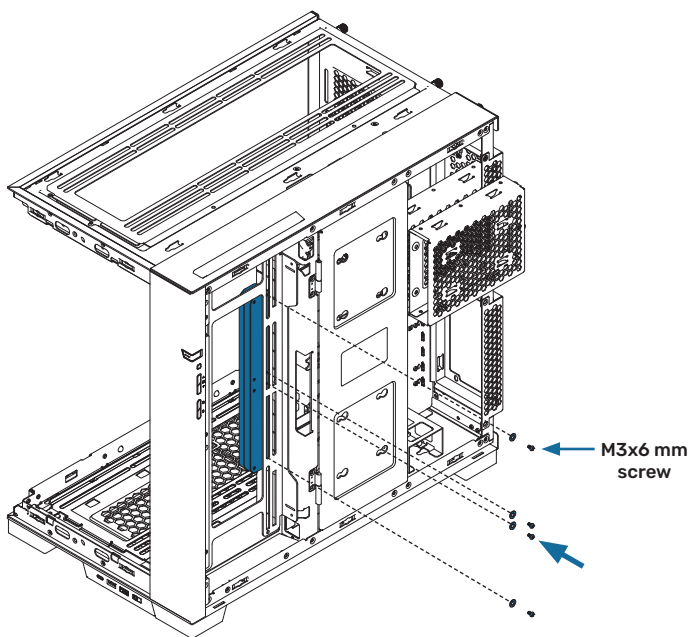


5. INSTALLING THE DISTROBUTION PLATE WITHOUT MOUNTING BRACKET



**STEP 1**

Carefully insert the distro plate into the case and align the fixing holes precisely. Take care not to scratch the acrylic!



**STEP 2**

Use the screws and washers to mount the distro plate directly to the fan bracket (0,8-1,5 Nm).



Do not overtighten the screws to avoid cracks in the acrylic glass.

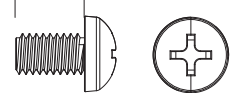
washers

6 mm



M3 x 6 screws

6 mm

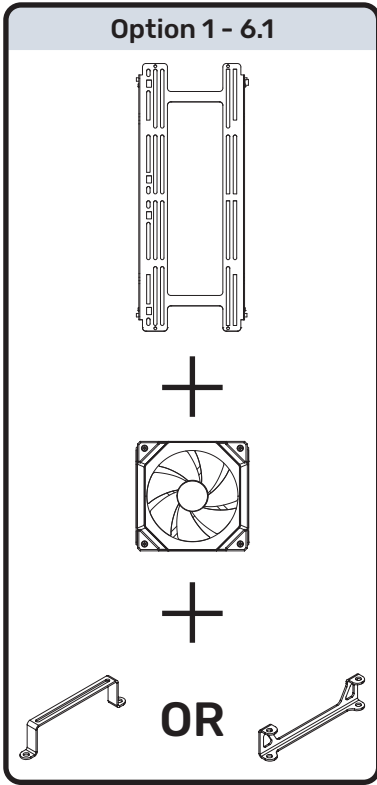




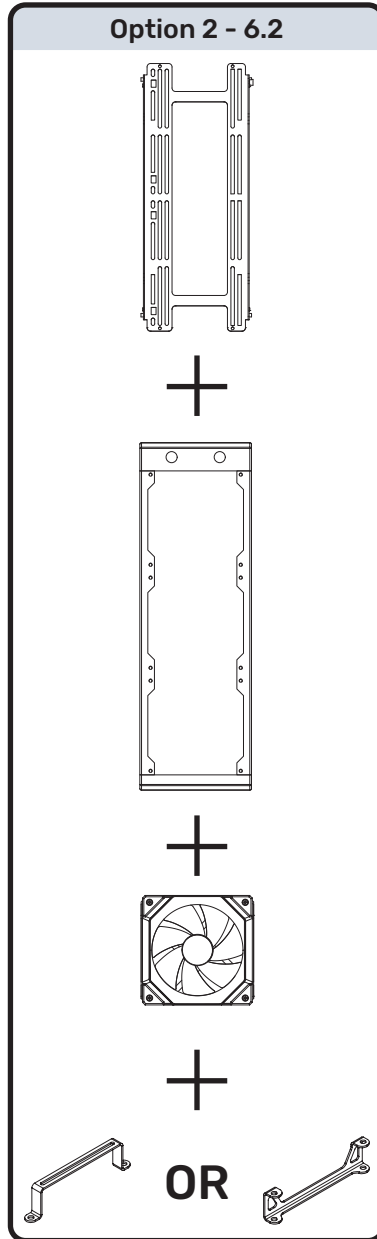


6. INSTALLING THE DISTRUBUTION PLATE WITH MOUNTING BRACKET

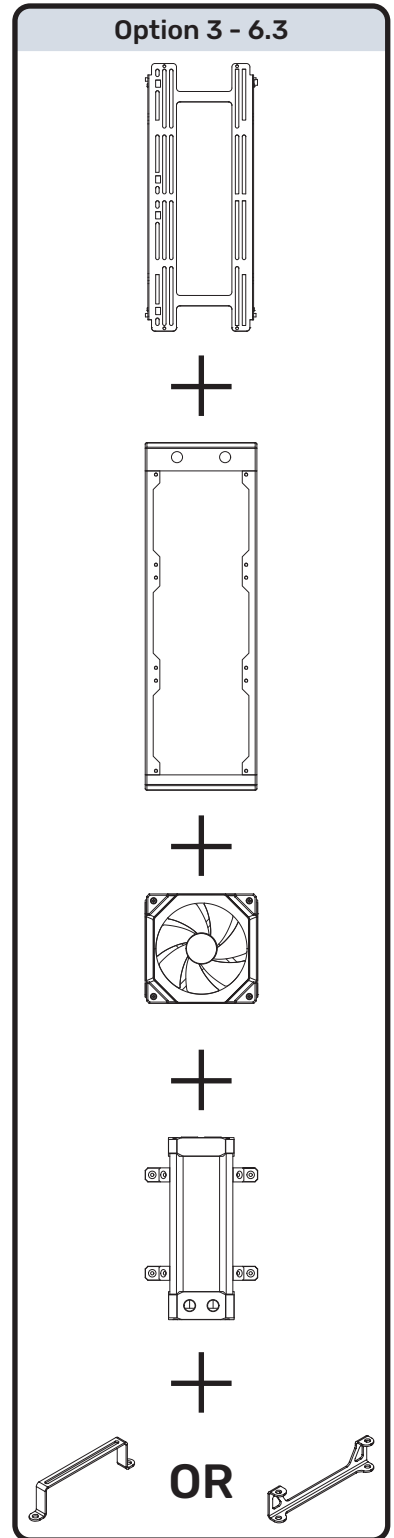
Option 1 - 6.1



Option 2 - 6.2



Option 3 - 6.3





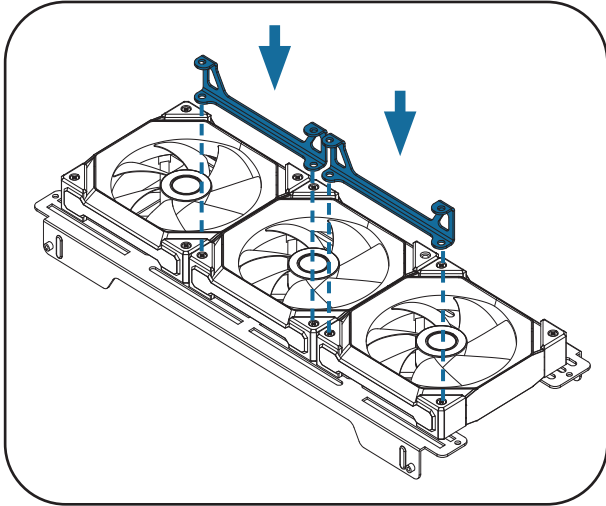
**6.1.1. INSTALLING - FAN + UNI MOUNTING BRACKET (28 mm & 60 mm)**



The brackets are not included in the scope of delivery.  
 UNI mounting bracket 28 mm = SKU: SW10136 (SK-UNI mounting bracket 28 mm (120 mm fan))  
 UNI mounting bracket 60 mm = SKU: SW10070 (SK-UNI mounting bracket 60 mm (120 mm fan))

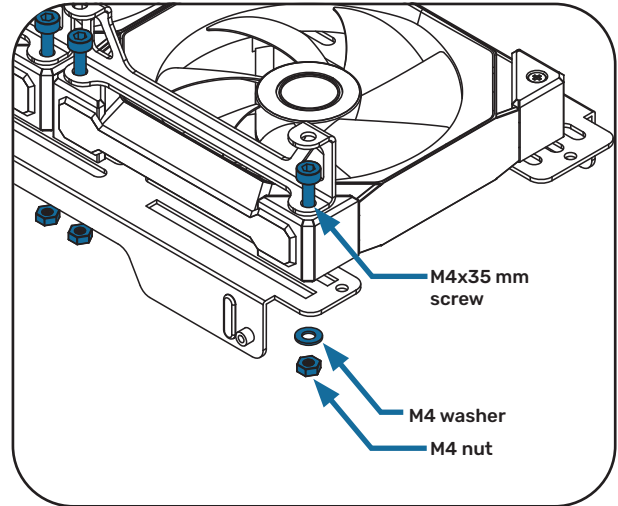
**STEP 1**

Position the brackets on the fans as required.



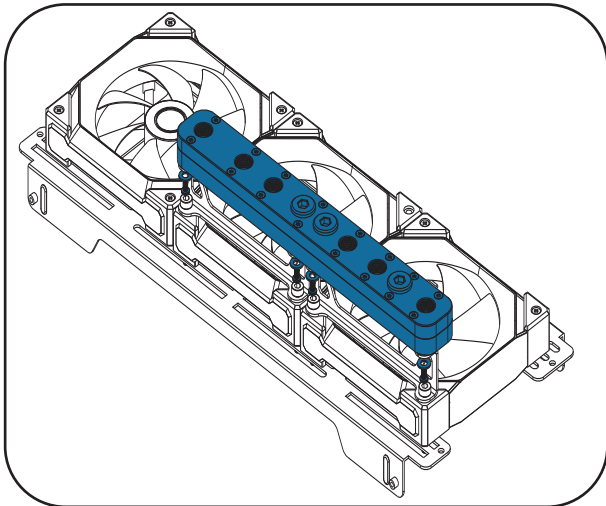
**STEP 2**

Attach the bracket using the M4x35 mm screws supplied.



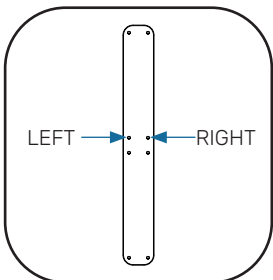
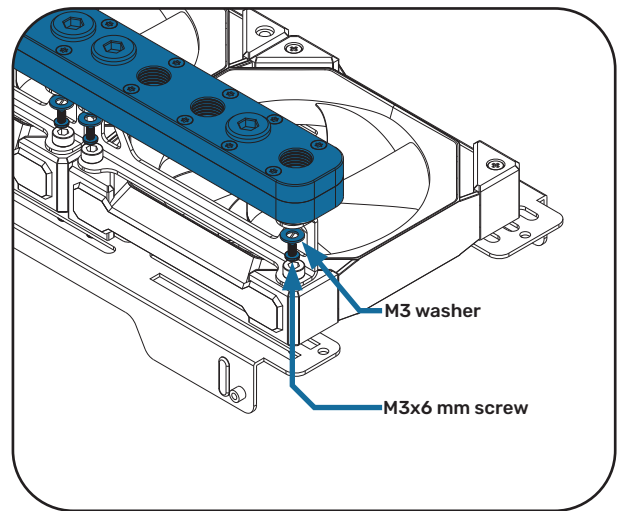
**STEP 3**

Place the Stealkey CubeTube Distroplate 240 mm or 360 mm on the mounting bracket.  
 You can choose 2 different positions (left or right, see rear thread).



**STEP 4**

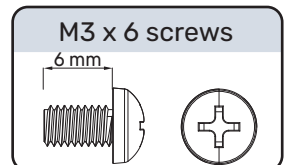
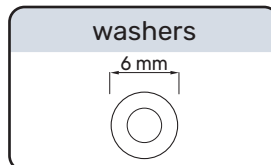
Screw the distro plate to the holder from below using the M3x6 mm screws and the washers.  
 Tighten the screws carefully (0,8-1,5 Nm).




The distro plate can be mounted on the left or right side. The mounting holes on the back can be used for this, as shown in the picture.



Do not overtighten the screws to avoid cracks in the acrylic glass.



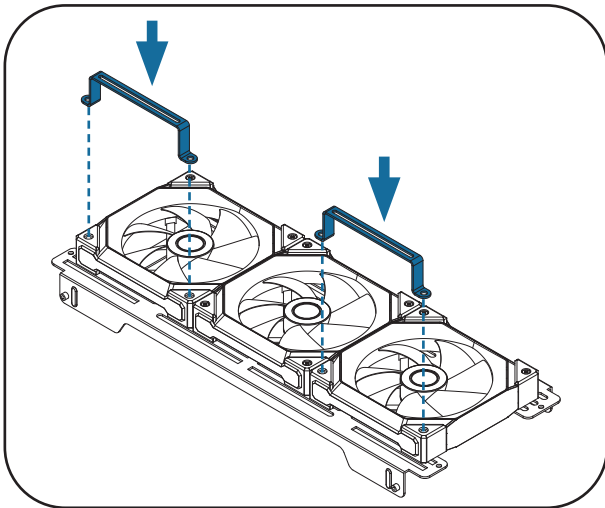
**6.1.2. INSTALLING - FAN + FLEX MOUNTING BRACKET (28 mm)**

 The brackets are not included in the scope of delivery.  
 FLEX mounting bracket 28 mm = SKU: SW10136 (SK-FLEX mounting bracket 28 mm (120 mm fan)) .

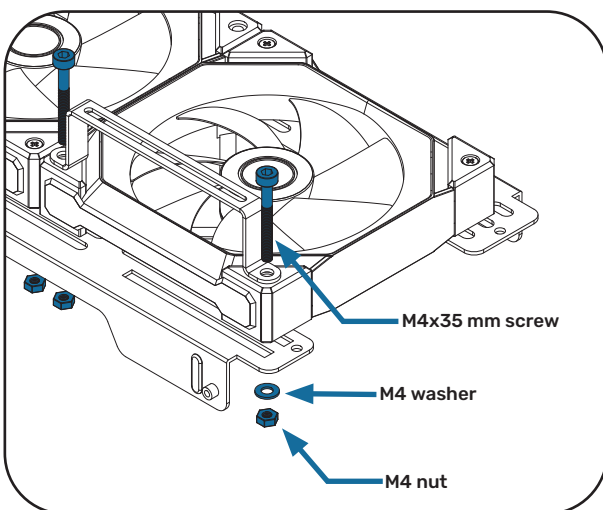
There are 2 options for mounting the bracket. Horizontally or vertically.

**Horizontal installation**
**STEP 1**

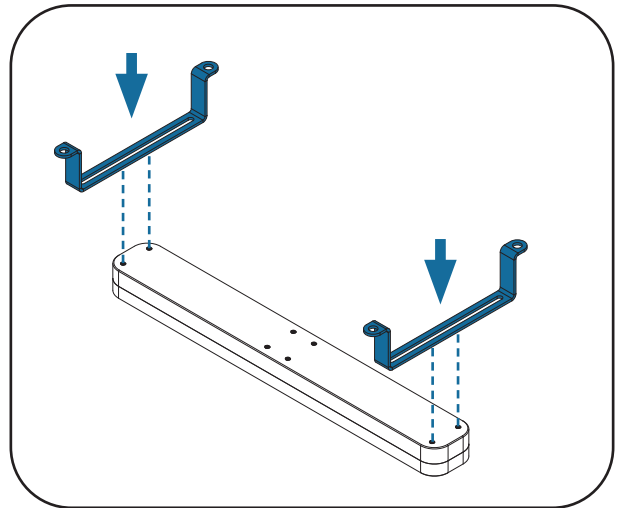
Attach the brackets to the fans as required.  
 The bracket can be used for the 240 mm and 360 mm distro plate. The bracket can be mounted on the left and right side of the fans.


**STEP 2**

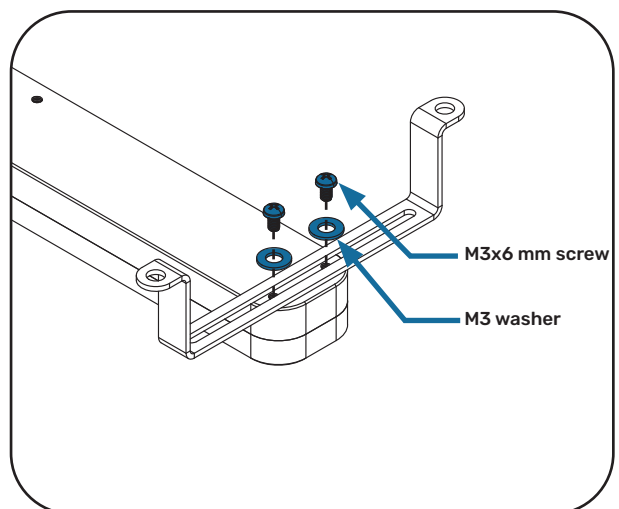
Fasten the bracket with the screws, washer and nut.


**Vertical installation**
**STEP 1**

Place the SK-FLEX mounting bracket 28 mm (120 mm fan) on the Cubetube Distroplate 240 mm or 360 mm. The bracket can be mounted flexibly (in the picture you can see the central position).


**STEP 2**

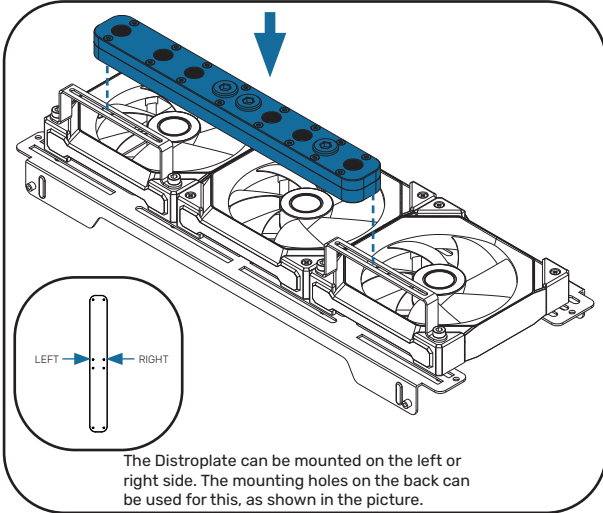
Screw the distro plate to the holder from below using the screws and washers. Tighten the screws evenly and without applying excessive force (0,8-1,5 Nm).





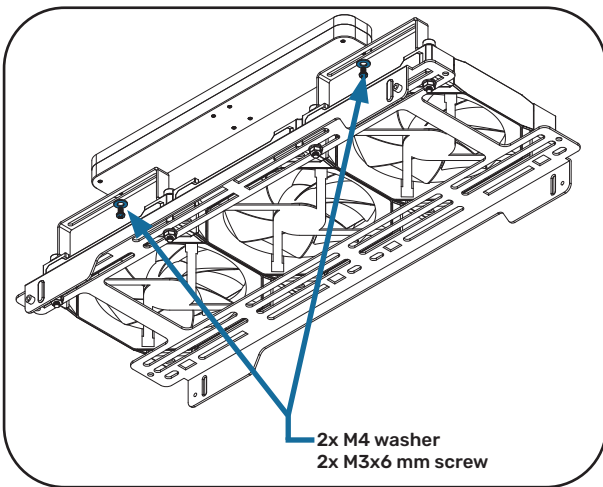
**STEP 3**

Attach the brackets to the fans as required. The bracket can be mounted at 240 mm or 360 mm. You can mount the bracket on each side of the fans.

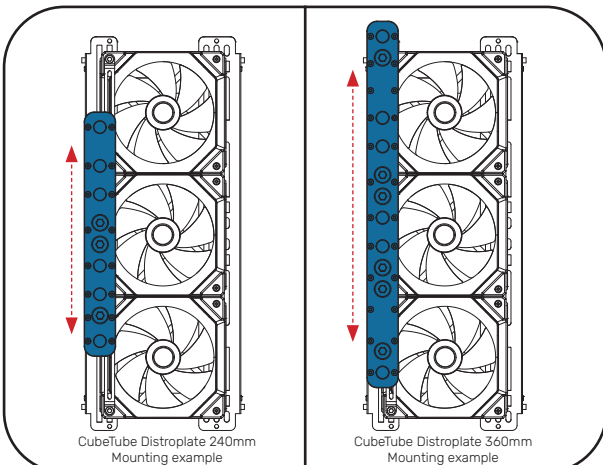


**STEP 4**

Screw the distro plate to the holder from below using the screws and washers. Tighten the screws evenly and without applying excessive force (0,8-1,5 Nm).

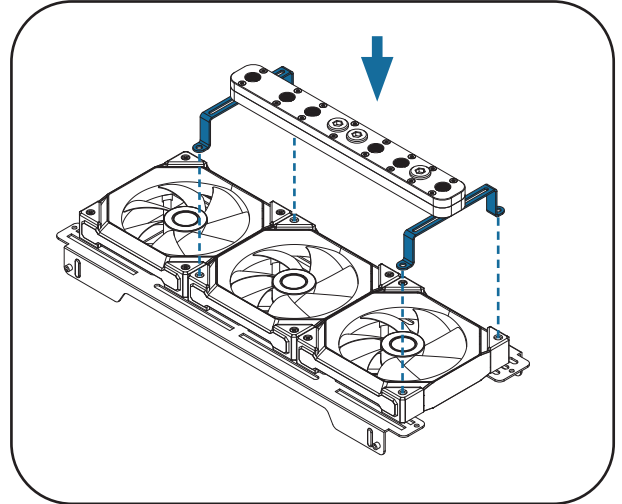


The distro plate can be flexibly moved up or down on the holder.



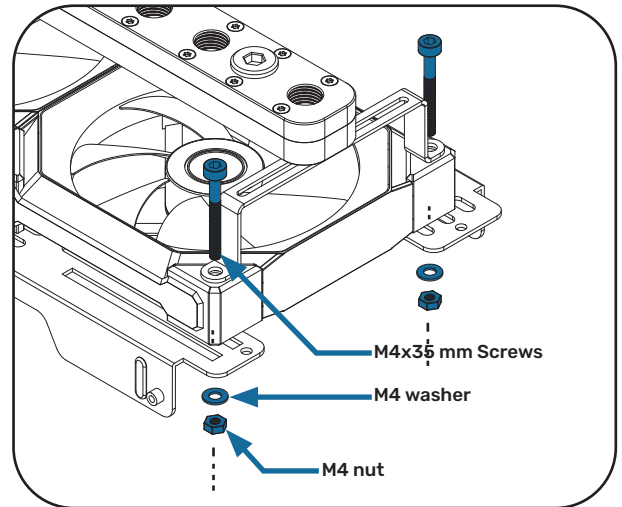
**STEP 3**

Place the distro plate on the fan assembly using the SK-FLEX 28 mm mounting bracket. The positioning is freely selectable.

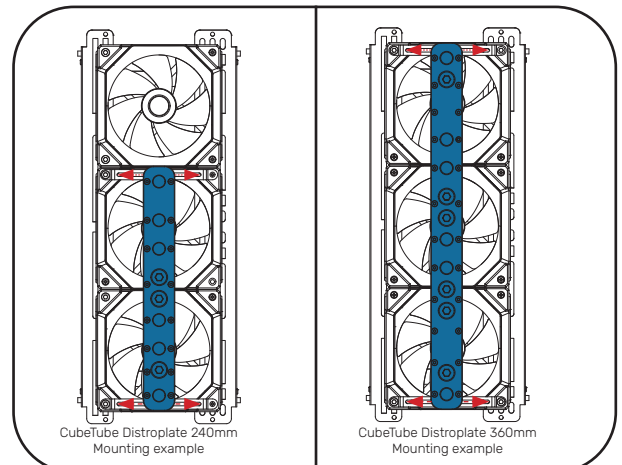


**STEP 4**

Screw the distro plate to the holder. The screws are designed for fans with a maximum thickness of 25 mm.



The distro plate can be moved flexibly to the left or right on the holder.





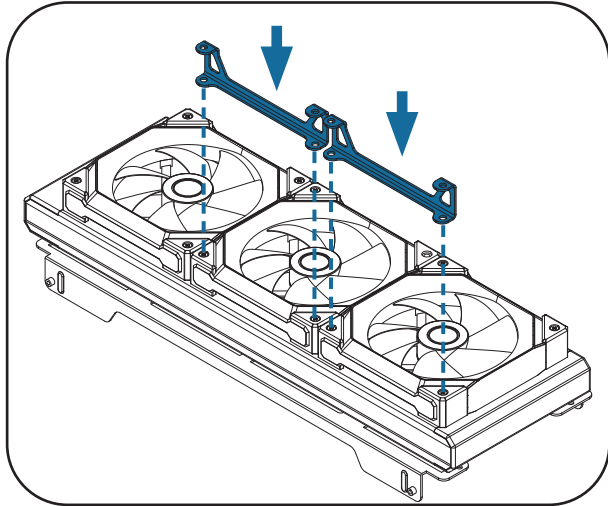
**6.2.1. INSTALLING - RADIATOR + FAN + UNI MOUNTING BRACKET (28 mm & 60 mm)**



The brackets are not included in the scope of delivery.  
 UNI Mounting bracket 28 mm = SKU: SW10136 (SK-UNI mounting bracket 28 mm (120 mm fan))  
 UNI Mounting bracket 60 mm = SKU: SW10070 (SK-UNI mounting bracket 60 mm (120 mm fan))

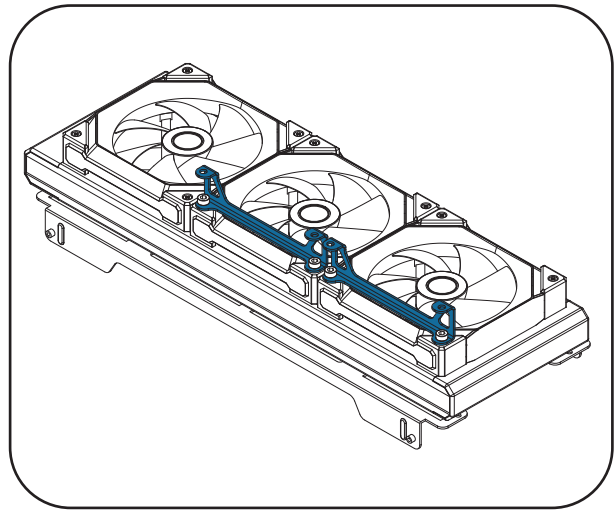
**STEP 1**

Position the brackets on the fans as required.



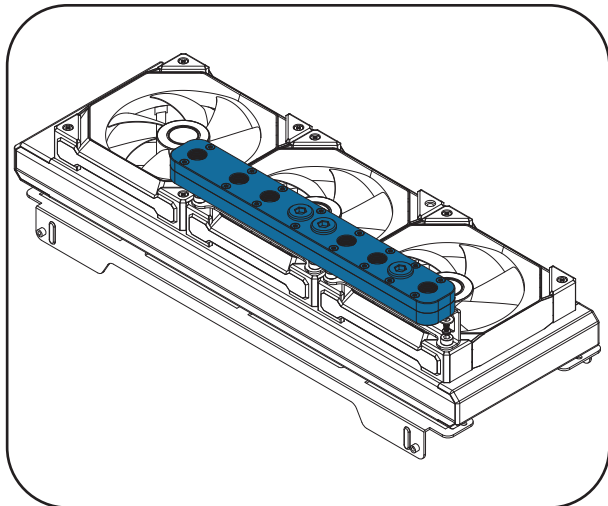
**STEP 2**

Screw the mounting bracket to the fan-radiator packet. Use the screws supplied with the radiators (Important! Radiators have different threads depending on the manufacturer, so we cannot supply screws for them).



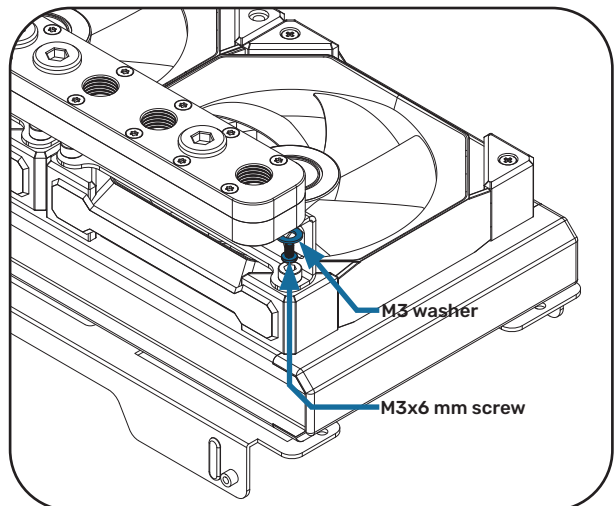
**STEP 3**

Place the Stealkey CubeTube Distroplate 240 mm or 360 mm on the mounting bracket. You can choose 2 different positions (left or right).

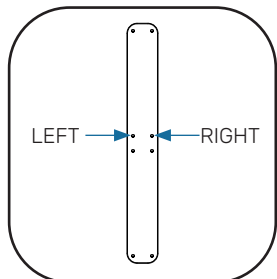


**STEP 4**

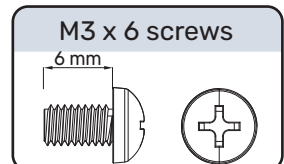
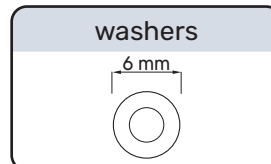
Screw the distro plate to the holder from below using the screws and washers. Tighten the screws carefully (0.8 - 1.5 Nm).




Do not overtighten the screws to avoid cracks in the acrylic glass.



The distro plate can be mounted on the left or right side. The mounting holes on the back can be used for this, as shown in the picture.



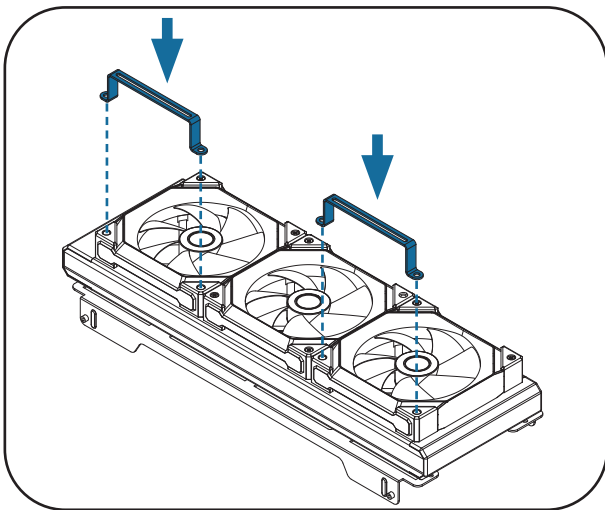
**6.2.2. INSTALLING - RADIATOR + FAN + FLEX MOUNTING BRACKET (28 mm)**

 The brackets are not included in the scope of delivery.  
 FLEX Mounting bracket 28 mm = SKU: SW10136 (SK-FLEX mounting bracket 28 mm (120 mm fan)) .

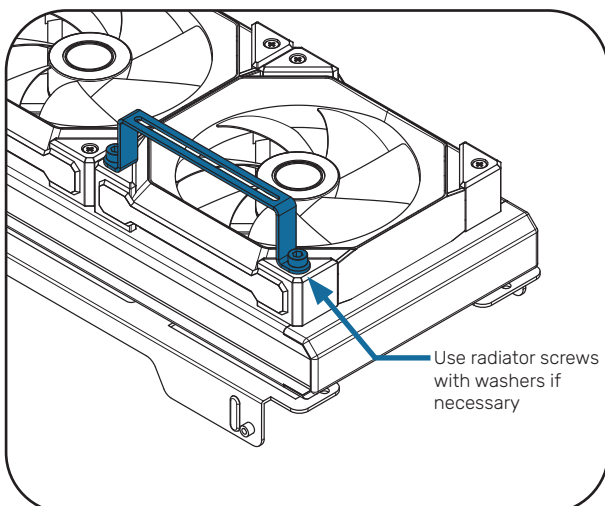
There are 2 options for mounting the bracket. Horizontally or vertically.

**Horizontal installation**
**STEP 1**

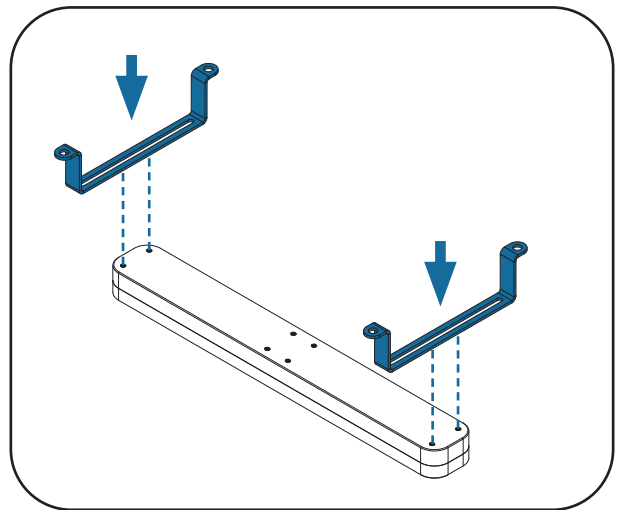
Attach the brackets to the fans as required. The bracket can be mounted at 240 mm or 360 mm distro plate. You can mount the bracket on the left or right side of the radiator.


**STEP 2**

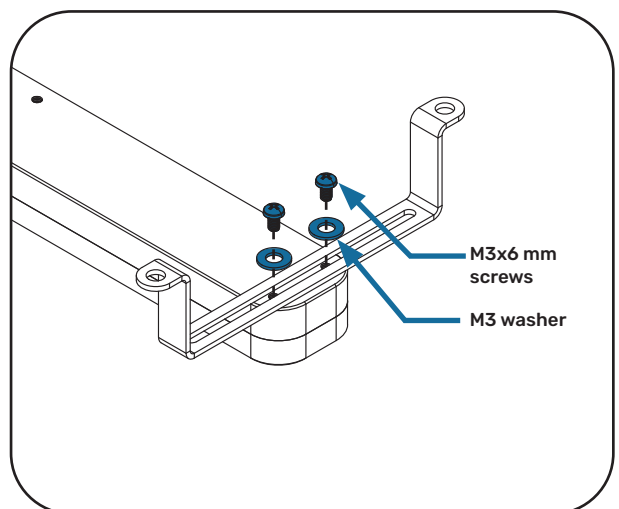
Screw the mounting bracket to the fan-radiator packet. Use the screws supplied with the radiators (Important! Radiators have different threads depending on the manufacturer, so we cannot supply screws for them).


**Vertical installation**
**STEP 1**

Place mounting bracket on the Cubetube Distroplate 240 mm or 360 mm. The bracket can be mounted flexibly (here in the picture is the center mounting).


**STEP 2**

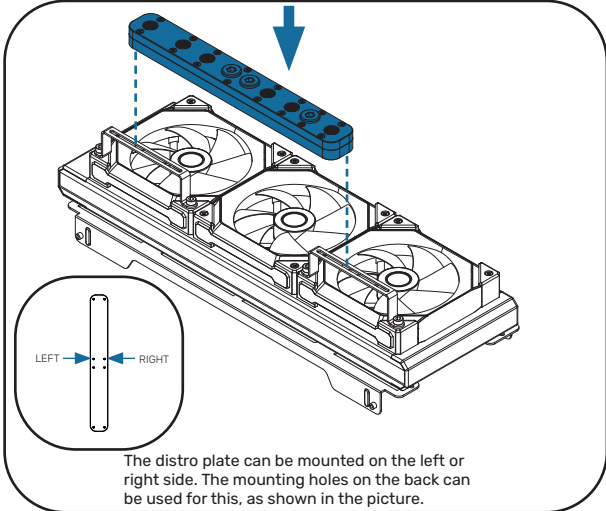
Screw the distro plate to the holder from below using the screws and washers. Tighten the screws evenly and without applying excessive force (0,8-1,5 Nm).





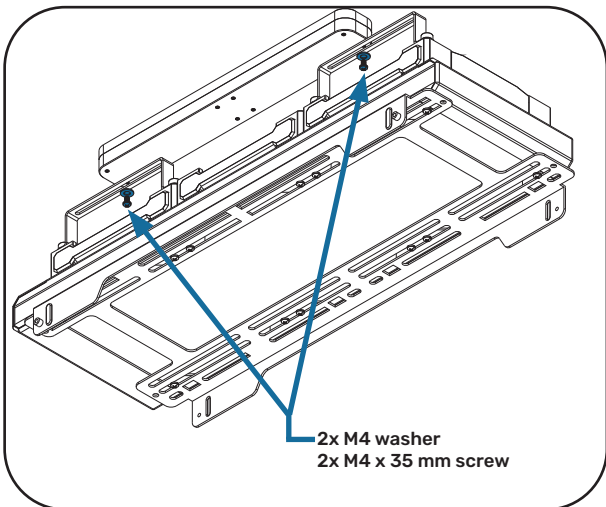
**STEP 3**

Attach the brackets to the fans as required. The bracket can be mounted at 240 mm or 360 mm distro plate. You can mount the bracket on the left or right side of the radiator.

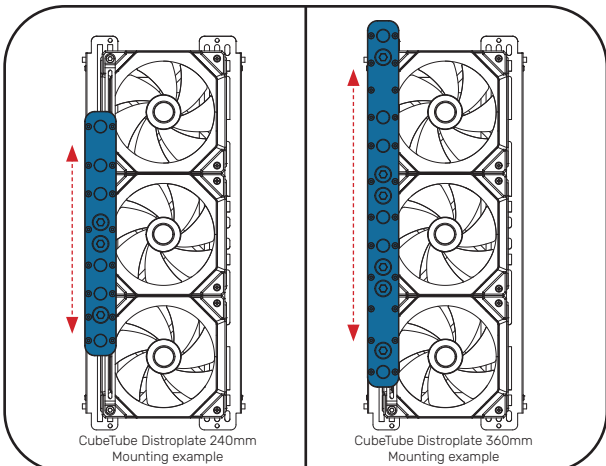


**STEP 4**

Screw the distro plate to the holder from below using the screws and washers. Tighten the screws evenly and without applying excessive force (0,8-1,5 Nm).

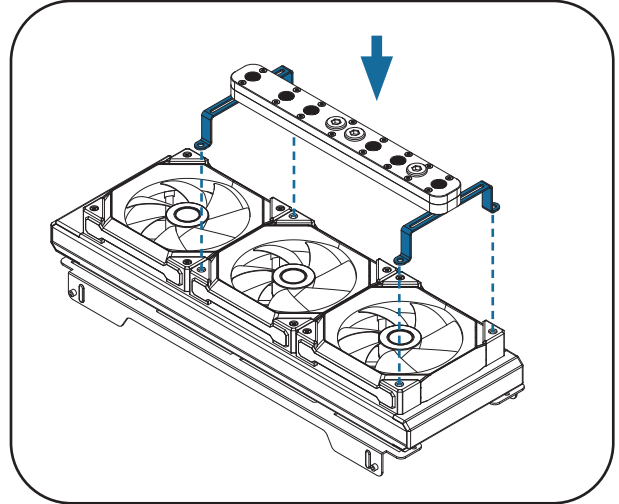


The distro plate can be flexibly moved up or down on the mounting bracket.



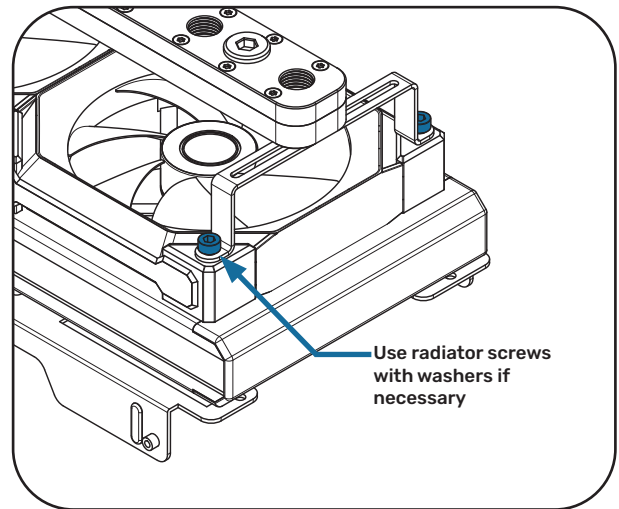
**STEP 3**

Place the distro plate on the fan assembly using the SK-FLEX mounting bracket 28 mm. The positioning is freely selectable.

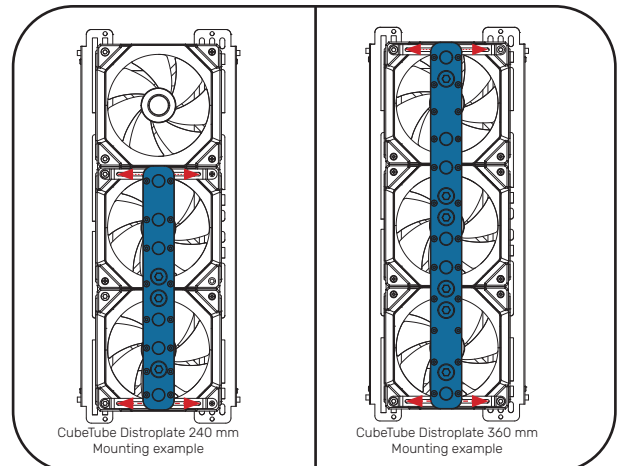


**STEP 4**

Screw the mounting bracket to the fan-radiator packet. Use the screws supplied with the radiators (Important! Radiators have different threads depending on the manufacturer, so we cannot supply screws for them).



The distro plate can be moved flexibly to the left or right on the holder.





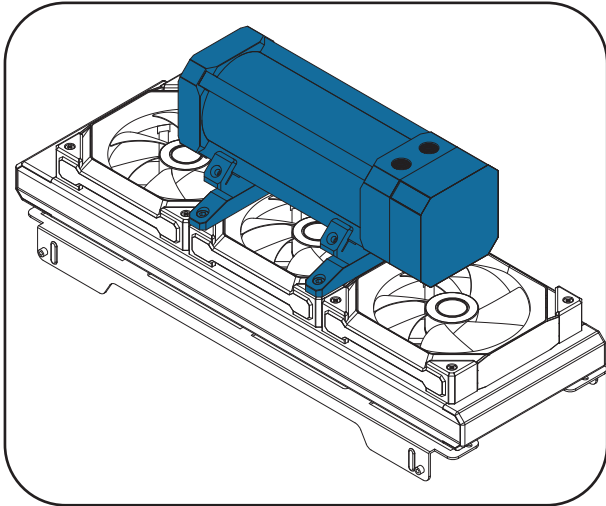
**6.3.1. INSTALLING - RADIATOR + FAN + Reservoir + UNI MOUNTING BRACKET (28 mm & 60 mm)**



The brackets are not included in the scope of delivery.  
 UNI Mounting bracket 28 mm = SKU: SW10136 (SK-UNI mounting bracket 28 mm (120 mm fan))  
 UNI Mounting bracket 60 mm = SKU: SW10070 (SK-UNI mounting bracket 60 mm (120 mm fan))

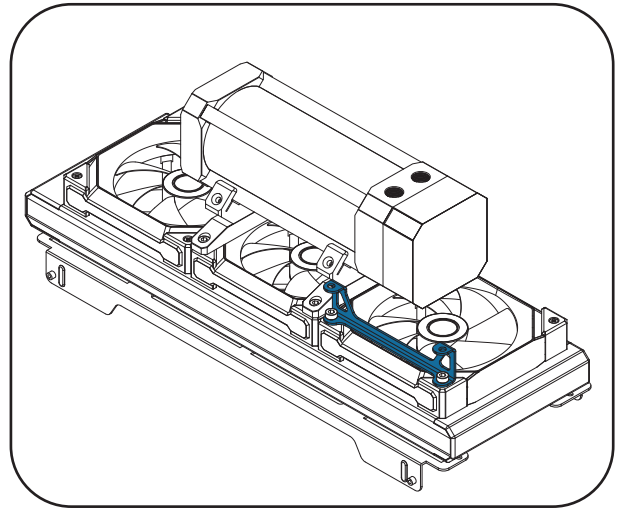
**STEP 1**

Mount your tube reservoir on the radiator fan package. The reservoir is mounted on the middle fan.



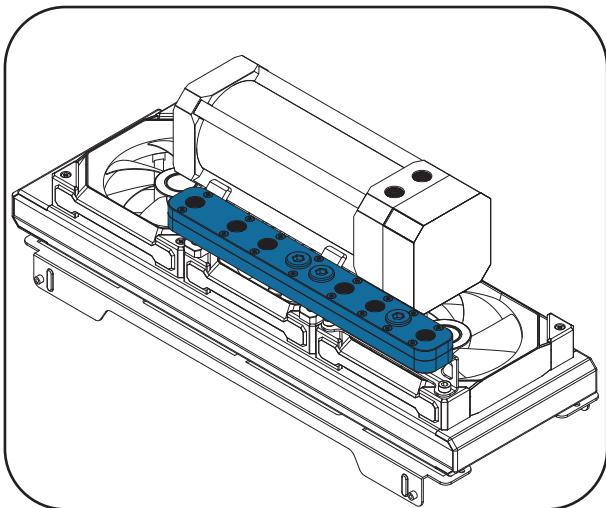
**STEP 2**

Screw the mounting bracket to the fan-radiator package. Use the screws supplied with the radiators. (M3, M4 or UNC - varies depending on manufacturer)



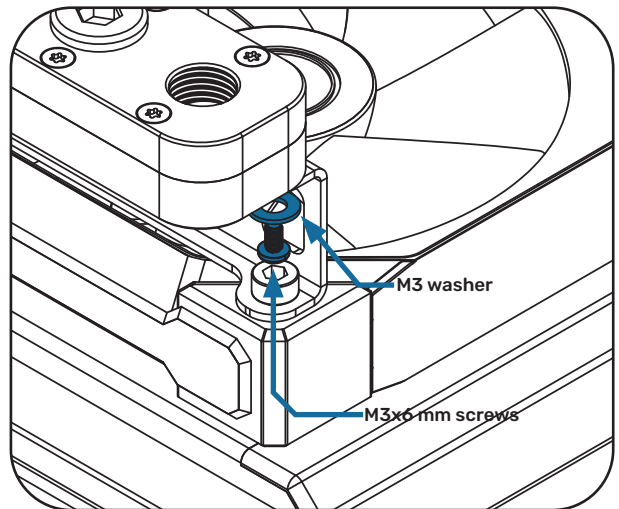
**STEP 3**

Place the Stealkey CubeTube Distroplate 240 mm or 360 mm on the mounting bracket. You can choose 2 different positions (left or right). In our example, we use the left-hand side for mounting the distro plate.

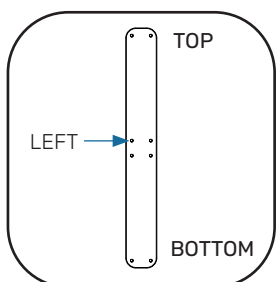


**STEP 4**

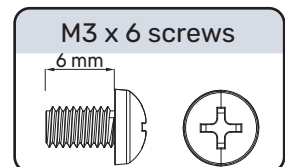
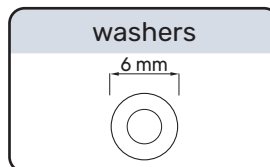
Screw the distro plate to the holder from below using the screws and washers. Tighten the screws carefully (0,8-1,5 Nm).



Do not overtighten the screws to avoid cracks in the acrylic glass.




The distro plate must be mounted on the left-hand side. The mounting holes on the back can be used for this, as shown in the illustration.



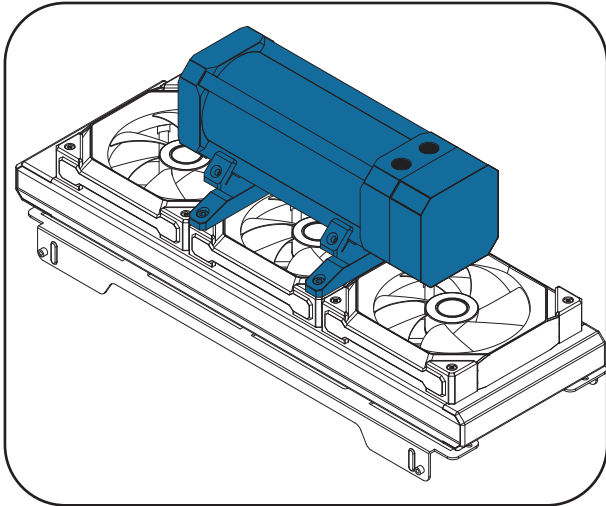


6.3.2. INSTALLING - RADIATOR + FAN + Reservoir + FLEX MOUNTING BRACKET (28 mm)

 The brackets are not included in the scope of delivery.  
FLEX Mounting bracket 28 mm = SKU: SW10136 (SK-FLEX mounting bracket 28 mm (120 mm fan)) .

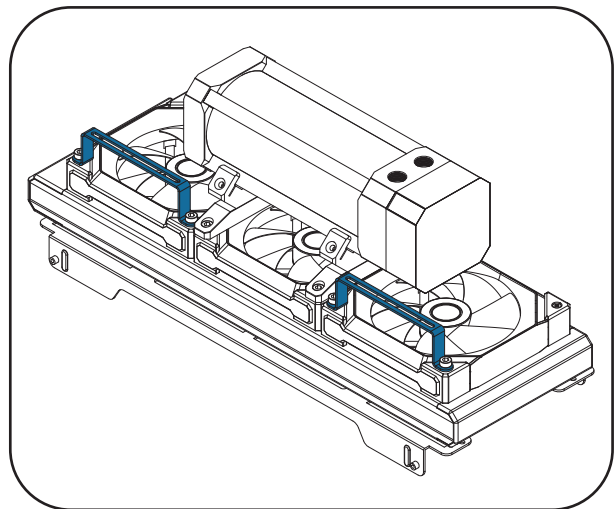
**STEP 1**

Mount your tube reservoir on the radiator fan package. The reservoir is mounted on the middle fan.



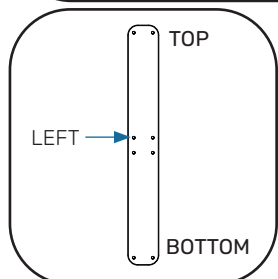
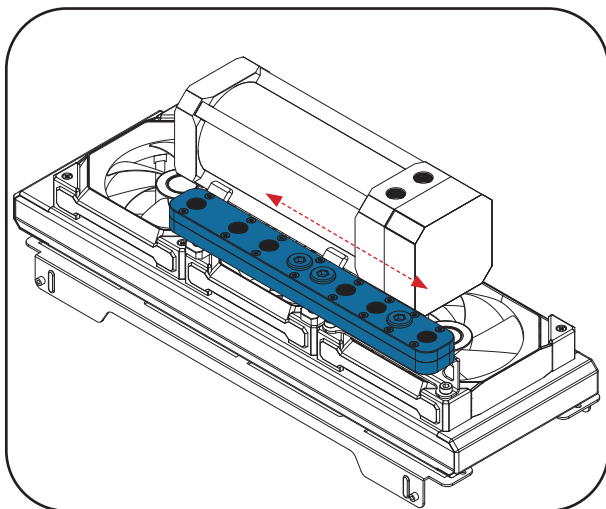
**STEP 2**

Screw the mounting bracket to the fan-radiator package. Use the screws supplied with the radiators. (M3, M4 or UNC - varies depending on manufacturer)



**STEP 3**

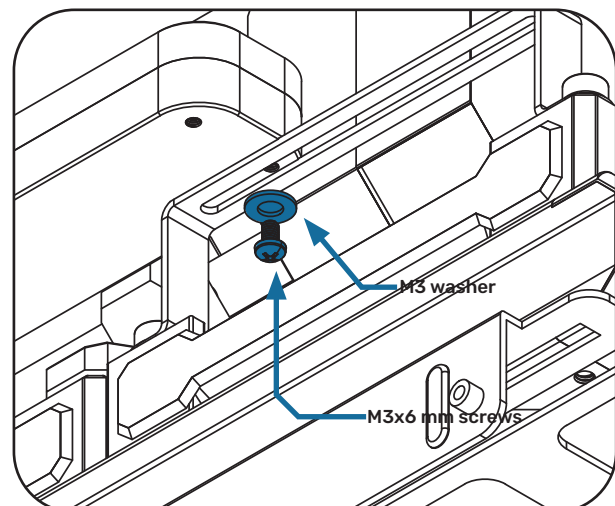
Place the Stealkey CubeTube Distroplate 240 mm or 360 mm on the mounting bracket. You can choose 2 different positions (left or right). In our example, we use the left-hand side for mounting the distro plate. **The distro plate can be flexibly moved up or down on the mounting bracket.**




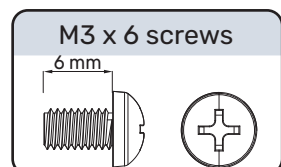
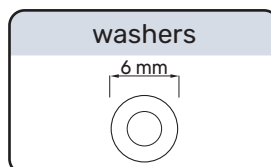
The distro plate must be mounted on the left-hand side. The mounting holes on the back can be used for this, as shown in the illustration.

**STEP 4**

Screw the distro plate to the holder from below using the screws and washers. Tighten the screws carefully (0,8-1,5 Nm).



 Do not overtighten the screws to avoid cracks in the acrylic glass.





## 7. INSTALLING THE CONNECTIONS

Mount the connections with G1/4 thread and close the remaining connections with sealing plugs. Always perform a leak test before applying power to the system components (max. 0,5 bar). Align the screw positions.  
Carefully loosen the shut-off valve of the filling connection to allow trapped air to escape.

## 8. CLEANING & CARE

Clean the distro plate only with microfiber cloths to avoid scratches in the material. Do not use cleaners containing alcohol to avoid stress cracks in the material. Before installing the distro plate, it is recommended to rinse the distro plate to remove any last residues. Acrylic paints can leave residues.

## 9. SUPPORT AND SERVICE

### Contact

#### Stealkey Customs

Mail: [support@stealkeycustoms.de](mailto:support@stealkeycustoms.de)

Instagram: <https://www.instagram.com/stealkeycustoms>

Website: <https://www.stealkeycustoms.de>

FAQ: <https://www.stealkeycustoms.de/pages/faq>